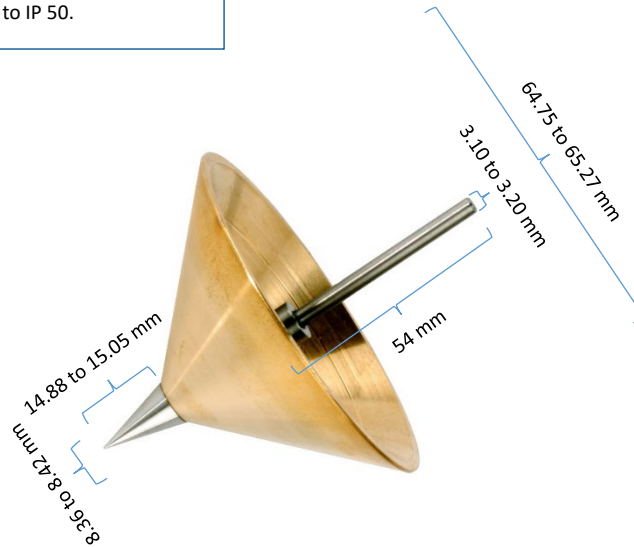


Seta Penetration Cones

18000-0 & 18050-0

ASTM-IP Optional Cone – Weight 102.5 ± 0.05 g

Note: 18050-0 is UKAS certified to IP 50.



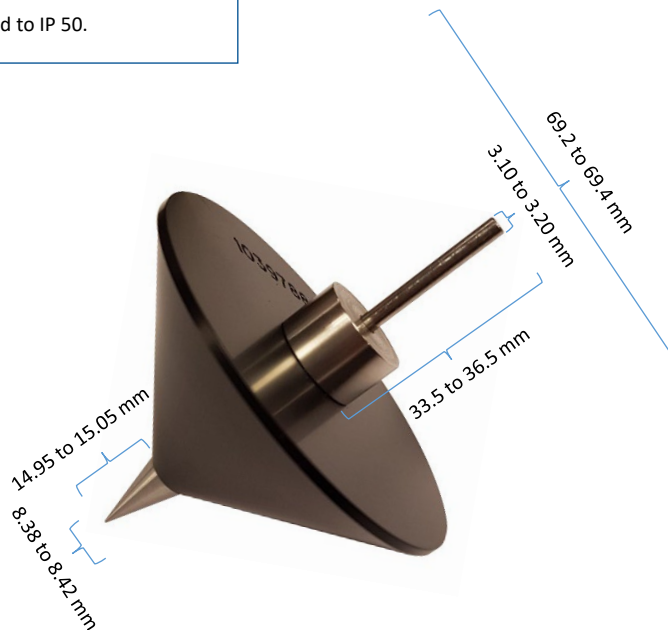
Conical brass body with a hardened steel tip.

30° angle $+0.3^\circ -0.4^\circ$

18051-0 & 18140-0

ASTM-IP Standard Cone – Weight 102.5 ± 0.05 g

Note: 18051-0 is UKAS certified to IP 50.

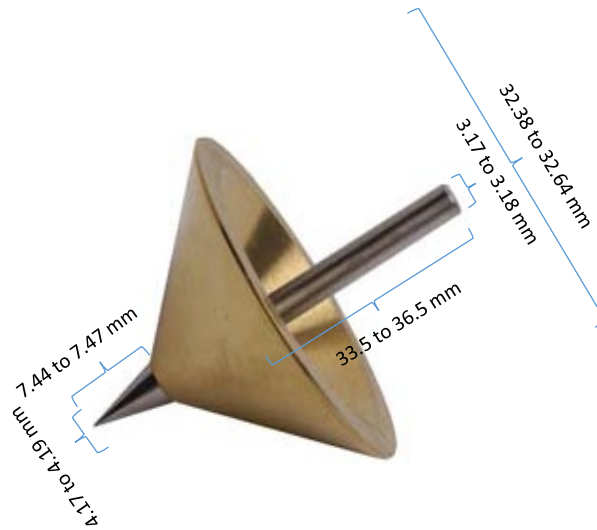


Conical acetal body with a hardened steel tip.

30° angle $+0.3^\circ -0.4^\circ$

18060-0

Half-scale Cone – Weight 22.5 ± 0.25 g



Conical brass body with a hardened steel tip.

30° angle